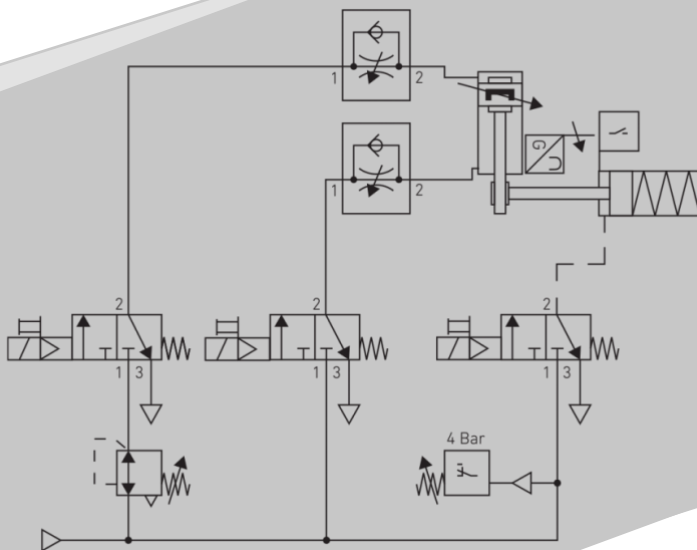
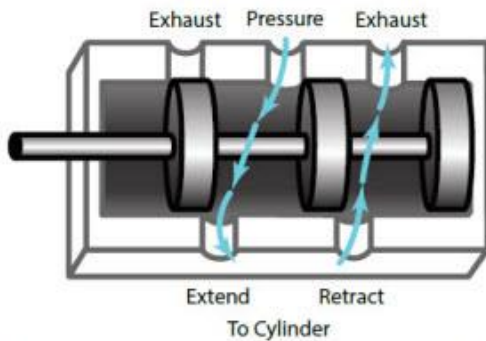


Industrial Pneumatics

Level I – Fundamentals

This course introduces the fundamental topics of pneumatic systems, components and their use in industrial applications. The instructor guided information along with hands-on activities allow participants to immediately utilize the newly developed skills. The topic coverage will provide participants with an understanding of the fundamental physics, calculations, documentation and operational function of valves and actuators associated with pneumatic systems. This understanding will aid the participant in developing troubleshooting skills.

- Pneumatic Theory
- Symbols and Schematics
- Compressor Operation
- Pneumatic Actuators
- Calculations
- Directional Control Valves
- Flow Control Valves
- Relief Valves
- Pressure Regulating Valves
- Logic Valves
- Exhaust Valves
- Troubleshooting



Course Length: 4 Days

Prerequisites: No prerequisites

Recommended Participants: Anyone needing to install, maintain or troubleshoot pneumatic systems.

For more information contact us at www.intktrain.com