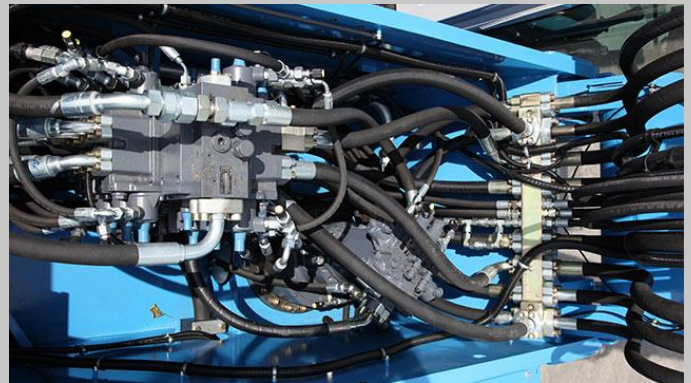
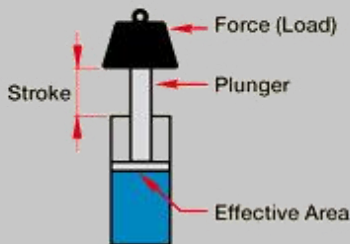
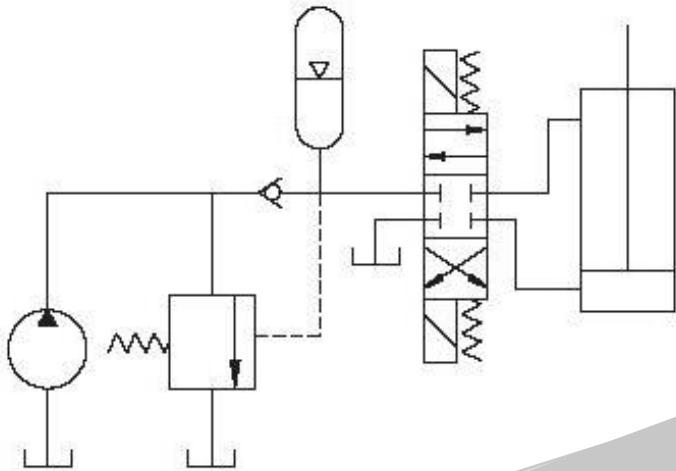


Industrial Hydraulics

Level I – Fundamentals

This course introduces the fundamental topics of hydraulic systems, components and their use in industrial applications. The instructor guided information along with hands-on activities allow participants to immediately utilize the newly developed skills. The topic coverage will provide participants with an understanding of the fundamental physics, calculations, documentation and operational function of valves and actuators associated with hydraulics. This understanding will aid the participant in developing troubleshooting skills.

- Hydraulic Theory
- Symbols and Schematics
- Pump Operation
- Hydraulic Actuators
- Calculations
- Directional Control Valves
- Flow Control Valves
- Relief Valves
- Pressure Reducing Valves
- Sequence Valves
- Troubleshooting



Force	=	Hydraulic Working Pressure	x	Cylinder Effective Area
F	=	P	x	A

Course Length: 4 Days

Prerequisites: No prerequisites

Recommended Participants: Anyone needing to install, maintain or troubleshoot hydraulic systems.

For more information contact us at www.intktrain.com